



# TYPE EXAMINATION CERTIFICATE

According to Lifts Regulations 2016, Schedule 11, Section A

<b>Certificate No.:</b>	UK-UCM 005/2
<b>Approved Body:</b>	TUV SUD BABT UNLIMITED Octagon House Concorde Way, Segensworth North Fareham, Hampshire, PO15 5RL, UK Identification No. 0168
<b>Certificate Holder:</b>	Blain Hydraulics GmbH Pfaffenstraße 1 74078 Heilbronn - Germany
<b>Manufacturer of the Test Sample:</b> <small>(Manufacturer of Serial Production - see Enclosure)</small>	Blain Hydraulics GmbH Pfaffenstraße 1 74078 Heilbronn - Germany
<b>Product:</b>	Hydraulic valve for a brake element as part of a protection against unintended downward car movement
<b>Type:</b>	L10 ¾"
<b>Regulation:</b>	Lifts Regulations 2016
<b>Reference Standards:</b>	EN 81-20:2020 EN 81-50:2020
<b>Test report:</b>	No. UK-UCM-004-1_007-2 dated 2022-10-26
<b>Outcome:</b>	The product conforms to the essential health and safety requirements of the mentioned Regulation if the requirements of the annex to this type examination certificate are kept.
<b>Date of Issue:</b>	2022-11-07

  
 Achim Janocha  
 TUV SUD BABT UNLIMITED



## **1 Scope of application**

Hydraulic valve for a brake element as part of a protection against unintended downward car movement, type L10 <sup>3</sup>/<sub>4</sub>"

Maximum braking distance after triggering up to	900 mm
Maximum permissible distance: level position - triggering up to	250 mm
Permissible nominal speed up to	1.00 m/s
Permissible release speed up to	1.30 m/s
Permissible nominal flow	≤ 125 l/min
Nominal pressure range	10 - 100 bar
Viscosity range	20 - 450 cSt

## **2 Conditions**

- 2.1 For identification and information about the principal design and operation and for demarcation of the examined and approved sample the approval drawing, no. L10-0.75" F KS a dated 2022-07-20 (page 1-2) with certification stamp of 2022-10-06 has to be enclosed to the EU-type examination certificate and its annex.
- 2.2 The above-mentioned safety component represents only one part of the protective equipment against movements of the car in downward direction. Only in combination with a detection and triggering component (also two different components are possible), which must be subjected to an own type-examination according to the test procedure specified in EN 81-50:2020, section 5.8, the created system can fulfil the requirements for a protection means in accordance with EN 81-20:2020, section 5.6.7.
- 2.3 The installer must prepare test instructions in order to meet the overall concept of the elevator system, enclose these test instructions in the elevator documents and if necessary, provide important tools or measuring devices which allow easy tests (e.g., when landing doors are closed).
- 2.4 Provided that the voltage drop on the coil has occurred within the distance of 250 mm as indicated in the scope of application it can be assumed that the requirements for braking distance and acceleration according to EN 81-20:2020, point 5.6.7.5 and 5.6.7.6 are met.
- 2.5 The Blain UCM-valve is an electrically operated check valve which can only be used in connection with an elevator valve as an additional safety valve for the prevention of unintended downward travel while a landing door is open according to EN 81-20:2020, section 5.6.7. The detection of emergency cases, the function of the brake in an upwards direction and the triggering of both brakes is the task of the control unit.
- 2.6 In order for it to function properly, the magnet of the Blain UCM-valve must be de-energized in accordance with the requirements of EN 81-20:2020, Section 5.6.6.5 at the latest when the car has moved a maximum of 250 mm from the flush position with the door open. Dead times of the electronic system must be considered.
- 2.7 The installer must be provided with written confirmation of the compliance of the component with the type tested part as well as of the guaranteed braking distances and accelerations.
- 2.8 The type examination certificate may only be used in combination with the corresponding annex and enclosure (List of authorized manufacturer of the serial production). The enclosure will be updated immediately after any change by the certification holder.

**Annex to the Type Examination Certificate  
No. UK-UCM 005/2 of 2022-11-07**



**3 Remarks**

3.1 This type examination certificate was issued according to the following standards:

- EN 81-20:2020
- EN 81-50:2020

A revision of this type-examination certificate is inevitable in case of changes or additions of the above-mentioned standards or of changes of state of the art.

3.2 In case that there is a risk of unintended car movement in the upward direction, appropriate measures must be taken by the installer.

**Enclosure to the Type Examination Certificate  
No. UK-UCM 005/2 of 2022-11-07**



**Authorised Manufacturer of Serial Production – Production Sites (valid from: 2022-10-12):**

**Company** Blain Hydraulics GmbH  
**Address** Pfaffenstraße 1  
74078 Heilbronn - Germany

- END OF DOCUMENT -

Nr.	Benennung	Zeichnungsnummer	Material	Artikelnummer	Stk.
1	Gehäuse L 10 1/2" F mit KS	L 111 F KS	AlCuMgPb	500792	1
2	Feder	F 69	EN 10270-1 SH	100157	1
3	Überdruckventil Flansch Schraube 14 lang	Schraube 14 lang		102098	1
4	KV 0.5 Senkkolben 7	Senkkolben 7 (0.2)		103291	1
5	Verschlußschraube DIN906 M6x1x8 blauverzinkt	DIN906 M6x1x8 blauverzinkt	blauverzinkt	100067	1
6	Notablaß M14x1.5	Notablaß M14x1.5		102078	1
7	Magnetrohr AB	Magnetrohr AB		102042	1
8	Magnet-Kern	EV 135	1.0718 (11SMnPb30)	102482	1
9	Magnetnadel "ab"	EV 139	1.4305 (X8CrNiS18-9)	102521	1
10	Feder	F 65	EN 10270-1 SH	100152	1
11	Magnetsitzhalter	EV 133	3.1645 (EN AW-2007)	102470	1
12	Sieb Magnetsitzhalter "ab"	EV 133-1	Drahtgewebe	102471	1
13	Sitzscheibe 2.0	EV 134-2.0	X12CrNiS188 Nr. 1.4305	102477	1
14	O-Ring 26x2 NBR 70	O-Ring 26x2 NBR	NBR	100226	2
15	Verschlußschraube G1/4"	EV 259	1.0718 (11SMnPb30)	102301	2
16	Zylinderschraube DIN912 M6x16 schwarzverzinkt	DIN912 M6x16 schwarzverzinkt	schwarzverzinkt	100089	4
17	Deckel L 10 1/2"	L 121	AlCuMgPb	103411	1
18	L 10 Kolben 3/4"	L 10-102		103452	1
19	Feder	F 81	Federstahldraht EN 10270-1 SH	100169	1
20	Gewindeschutzstopfen 1/4"	Cena Art.-Nr.: 40121	LD-PE	103039	1
21	Gewindeschutzstopfen 3/4"	Cena Art.-Nr.: 40251	LD-PE	103040	2
22	Stahlkugel	DIN5401-4	Kugelmateriale G4klasse 3	100189	1
23	Kugelsicherungsschraube	L 145	DIN 912 - M4x14	103428	1
24	Stahlkugel	DIN5401-6	Kugelmateriale G4klasse 3	100190	1
25	Feder	F 80	Federstahldraht EN 10270-1 SH	100168	1
26	Kolbensicherung	Drosselschraube Kolbensicherung		101896	1
27	Typenschild mit CE 0036	EV 148 CE 0036	Aluminium mit Kleber 3M 468	105718	1
28	Notablaßschild	EV 148 N	Aluminium mit Kleber 3M 468	102543	1
29	L 10 Filter für 0.75"	L 10 Filter für 0.75"		500850	1

0 6. OKT. 2022

GEPRÜFT / APPROVED

TUV SUD Industrie Service GmbH

Prälaboratorium für Produktprüfung

Westendstraße 19a

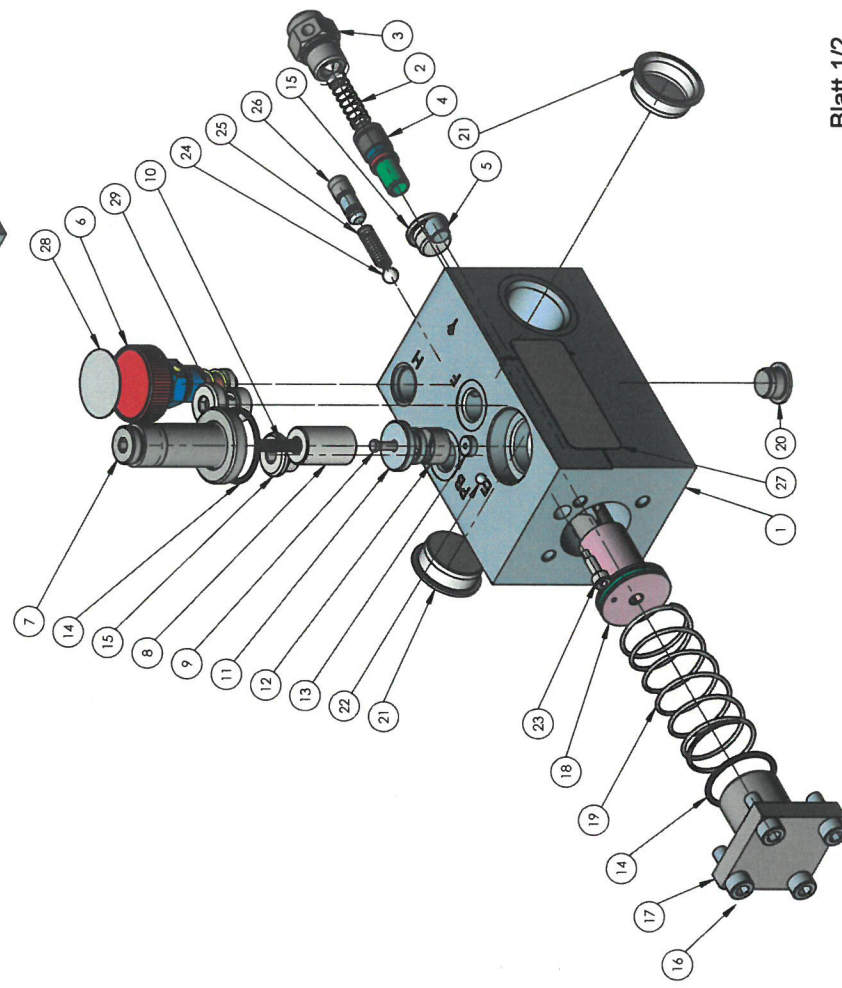
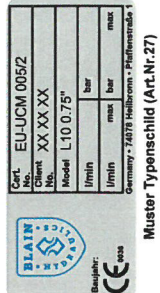
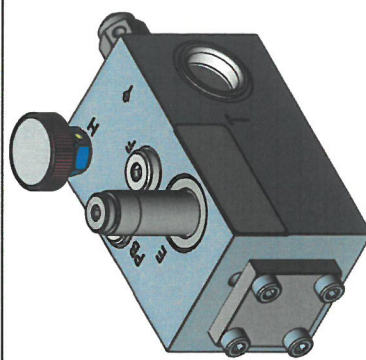
80699 München

Sechster

Industrie Service GmbH

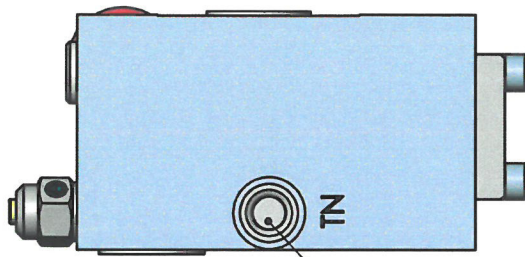
80699 München

Sechster

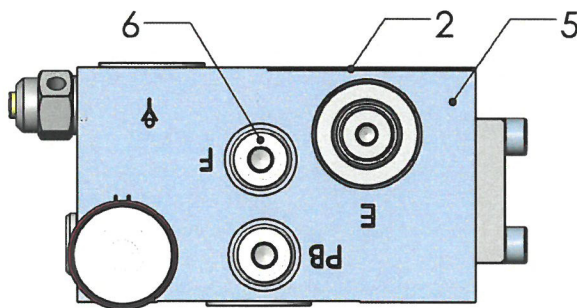
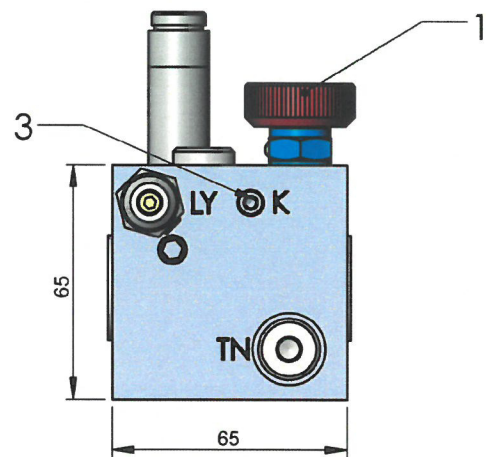
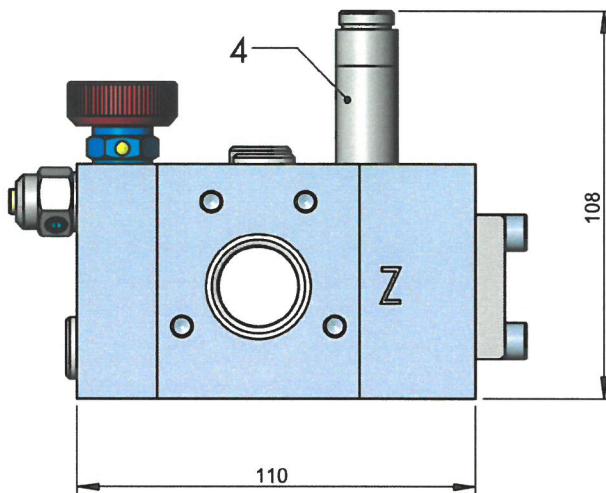


Blatt 1/2

Dienstag, 27. September 2022 14:54:27		F. Pauder		größer: Feinmollenerz: DIN ISO 2768m		Ungelöhres Gewicht in Gramm: 103432	
Werkstoff:		Datum		Name		Benennung:	
Rohmaße:		gez 20.07.2022		CQ		Drucksperrenventil 0.75"	
		gepr.		1:2		mit KS	
						Zeichnungs-Nr.: L10 0.75" F KS □	
						www.blain.de	

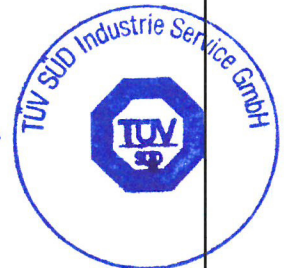


Tankanschluß entweder 1/2" oder 3/8"



0 6. OKT. 2022

GEPRÜFT / APPROVED  
 TÜV SÜD Industrie Service GmbH  
 Prüflaboratorium für Produkte der Fördertechnik  
 Westendstraße 199  
 80686 München  
 Sachverständige(r) / Expert



Position	Benennung
1	Notablaß M14x1,5
2	Typenschild mit CE (EV-L10)
3	Kolbensicherung
4	Magnetrohr AB
5	Gehäuse L10F 3/4" mit KS BV
6	Filter

Cert. No. EU-UCM 005/2	
Client No. XX XX XX	
Model L10 0.75"	
l/min	bar
l/min	max bar max

Germany • 74078 Heilbronn • Pfaffenstraße 1

Muster Typenschild (Art.Nr.2)

Blatt 2/2

Dienstag, 27. September 2022 14:54:27 F.Pausder		graffrei ; Freimaßtoleranz: DIN ISO 2768m			Ungefähres Gewicht in Gramm :	
	Werkstoff:	Datum	Name	Maßstab	Benennung:	Art.-Nr.: 103432
	Rohrmaße:	gez 20.07.2022	CQ	1:2	Drucksperrventil 0.75" mit KS	Zeichnungs-Nr.: L10 0.75" F KS d